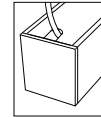
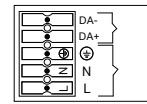
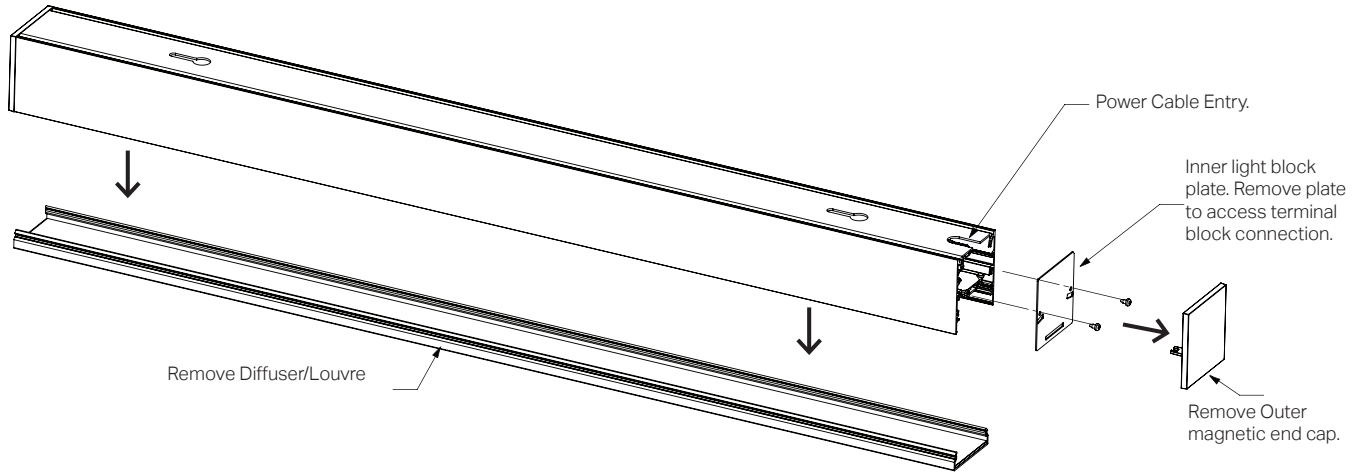


# ELLE Surface Mounted

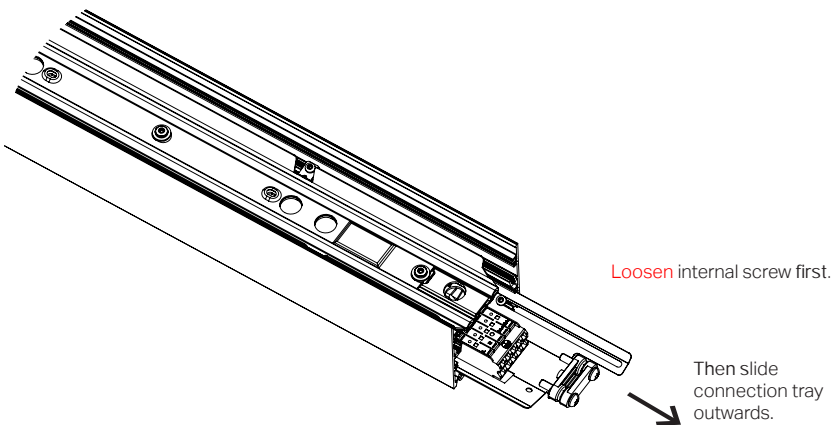
## Installation Instructions



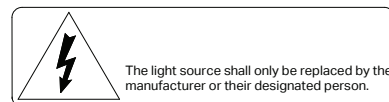
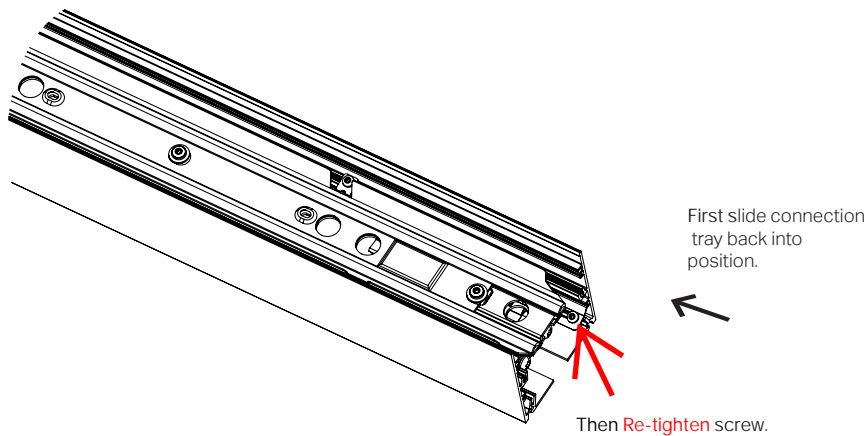
### STEP 1.



### STEP 2.



### STEP 3.



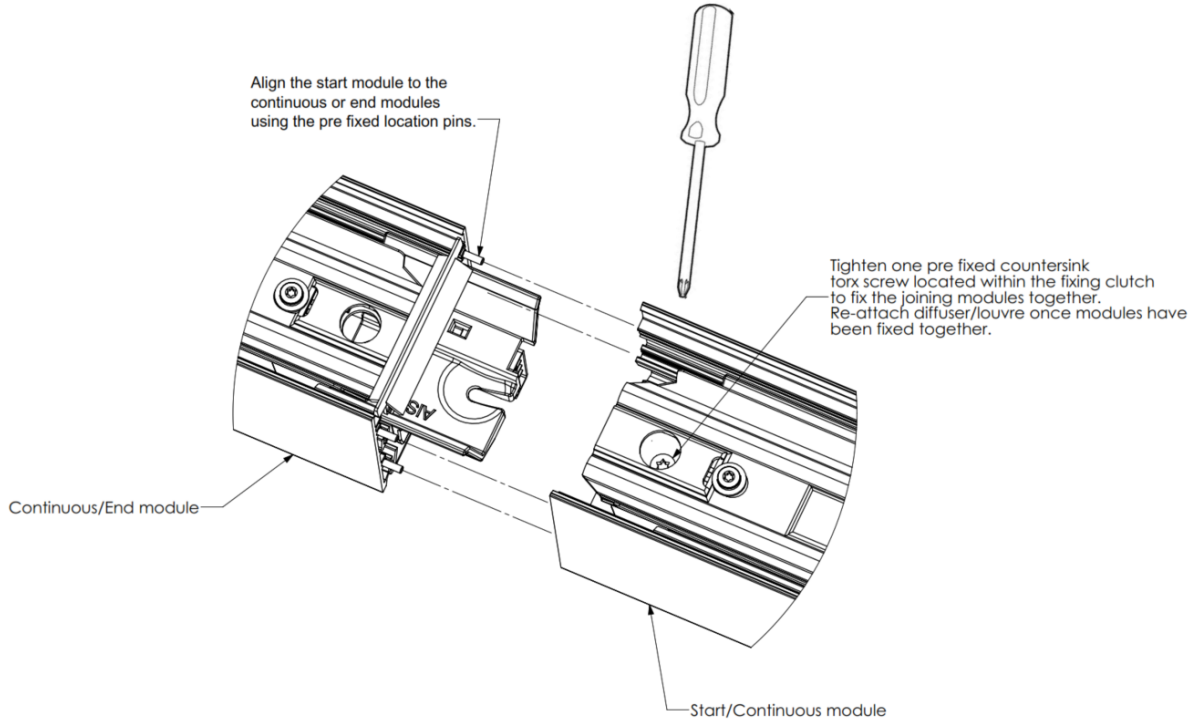
*It is appropriate that this information is passed on to the users of the installation.*

# ELLE Surface Mounted

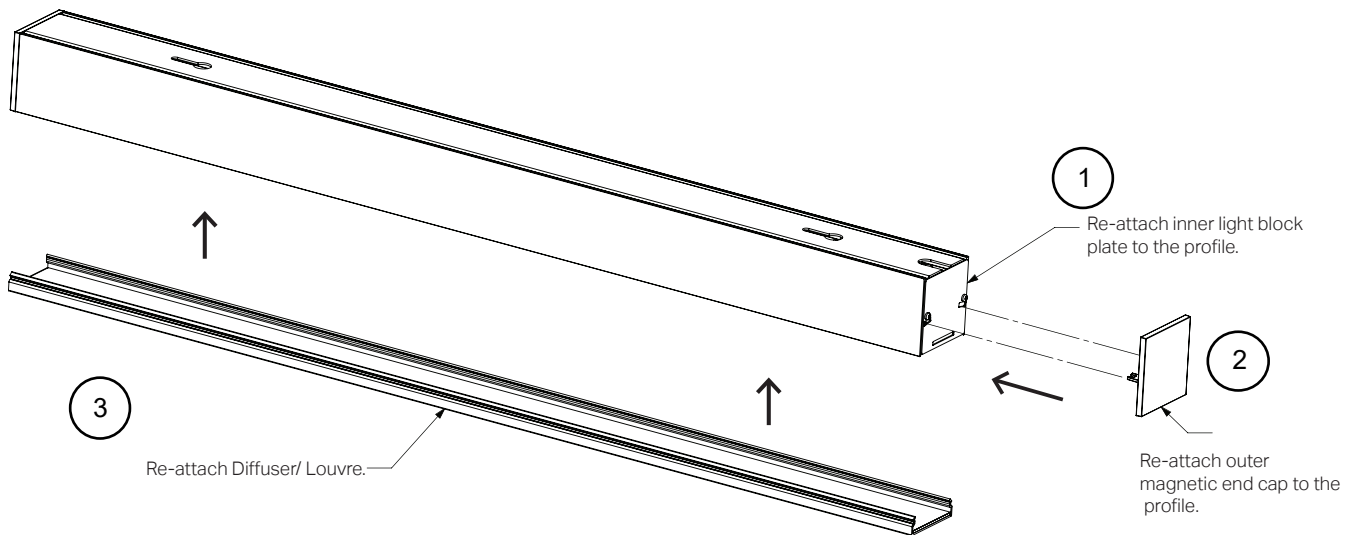
## Installation Instructions


### STEP 3A.

**NOTE:** This step is only needed for Continuous installations!



### STEP 4.



 The light source shall only be replaced by the manufacturer or their designated person.

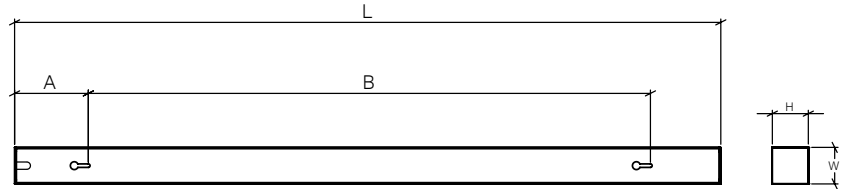
*It is appropriate that this information is passed on to the users of the installation.*

# ELLE Surface Mounted

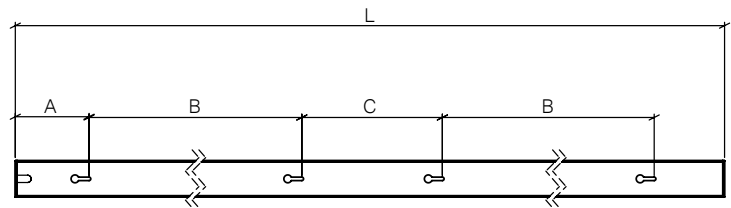
## Opal and Delta Surface Mounted

B = Key hole dimensions

Luminaire Length	L	W	H	A	B
SINGLE 1250	1256	65	65	131	1000
START 835	838	65	65	131	583
START 1250	1253	65	65	131	1000
CONTINUOUS 835	835	65	65	128	583
CONTINUOUS 1250	1250	65	65	128	1000
END 835	838	65	65	128	583
END 1250	1253	65	65	128	1000

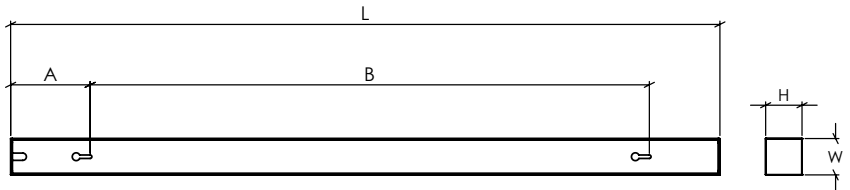


Luminaire Length	L	W	H	A	B	C
SINGLE 2500	2506	65	65	131	1000	250
START 2500	2503	65	65	131	1000	250
CONTINUOUS 2500	2500	65	65	128	1000	250
END 2500	2503	65	65	128	1000	250

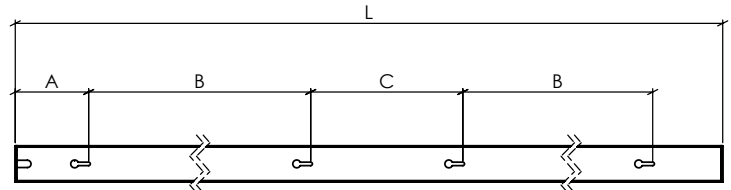


## Beta Opti Surface Mounted

Luminaire Length	L	W	H	A	B
SINGLE 1262	1268	65	65	142	1000
START 1262	1265	65	65	142	1000
CONTINUOUS 1262	1262	65	65	139	1000
END 1262	1265	65	65	139	1000



Luminaire Length	L	W	H	A	B	C
SINGLE 2522	2528	65	65	131	1000	272
START 2522	2525	65	65	131	1000	272
CONTINUOUS 2522	2522	65	65	128	1000	272
END 2522	2522	65	65	128	1000	272



It is appropriate that this information is passed on to the users of the installation.