

### SPECIFICATION



Luminaire's light distribution is direct/indirect.



Denotes which light source/light sources that can be supplied with the luminaire. Several symbols next to the same luminaire indicate that the luminaire is available in different designs.



#### IP CLASSIFICATION

IP40: Protected against solid objects over 1mm (tools, wires and small wires).



#### CLASS I

Appliances with functioning insulation. Equipped with an earth termination.



#### RISK OF FIRE

Building Insulation must not cover this Luminaire  
HCB =100mm. MIC =100mm. SCB =100mm.  
SCI =100mm.



#### HIGH VOLTAGE

Luminaire circuitry exceeds a forward voltage of 50V.



#### RCM

Indicates a device's compliance with applicable ACMA technical standards.



#### ESD

Personnel should be grounded when unpacking or handling the luminaire.

### IMPORTANT INFORMATION

Please read this guide carefully before installing or maintaining this equipment.

Data should be used as an **INDICATION** only.

Good electrical practices should be followed at all times.

Must only be installed by a licensed electrician.

If the external flexible cable or cord of this luminaire is damaged, it shall be exclusively replaced by the manufacturer or their service agent or a similar qualified person in order to avoid a hazard.

For indoor use only.

A qualified electrician, in accordance with AS/NZS 3000:2007 wiring regulations should carry out connection to mains wiring.

This unit must be **EARTHED**.

Ensure that the rated voltage and frequency requirements are compatible with the available mains supply, 220-240V 50Hz.

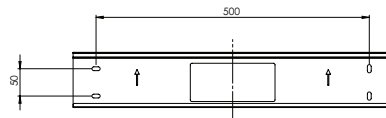
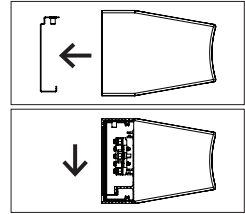
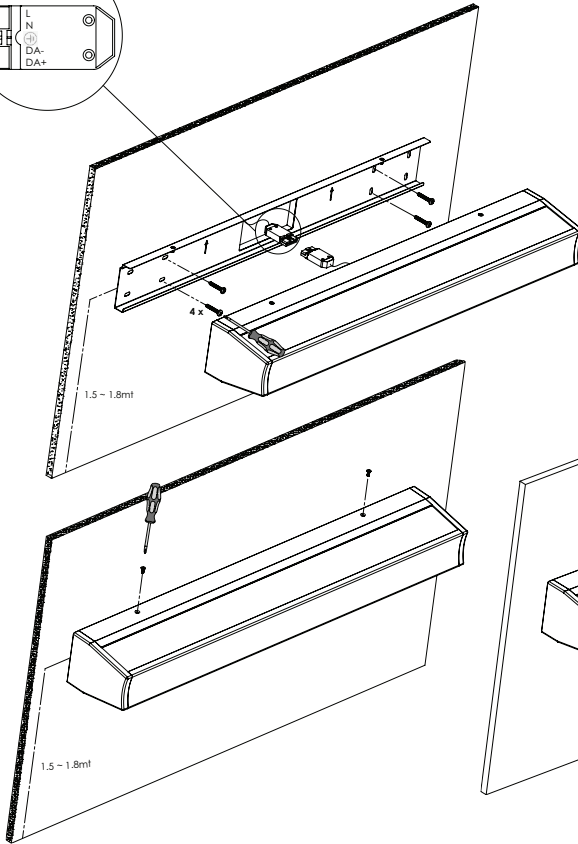
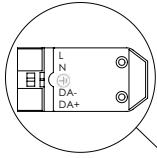
Cleaning of reflectors and lenses should be carried out using clean, soft and lint free cloths and anti-static cleaning fluid.

Do not carry out high voltage insulation test i.e. 500/1000V this may damage the fixtures electrical components.

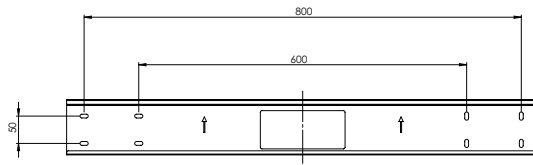
### CODE INS-CON

# CONCAVA

## INSTALLATION INSTRUCTIONS



Wall Mounting Plate  
to Sull Concava 600mm



Wall Mounting Plate  
to Sull Concava 900mm

CODE INS-CON