

Pleiad G4 Robust

Installation Instructions



Luminaire's light distribution is direct.

LED

Denotes which light source/light sources that can be supplied with the luminaire.

IP64/20



IP Classification: Product is IP64/20 (IP64 from the room side, IP20 from the ceiling side).



Class II: Double insulated electrical appliances designed in such a way that they do not require a safety connection to ground/ The luminaire body is Class III which is connected to the supplied Class II driver.



RISK OF FIRE: (a) The minimum clearance distance from the top of the luminaire to any normally flammable building element is 100mm. (b) The minimum clearance distance from the top of the luminaire to any building insulation is 100mm. (c) The minimum clearance distance from the side of the luminaire to any normally flammable building element is 100mm. (d) The minimum clearance distance from the side of the luminaire to any building insulation is 100mm. **WARNING – RISK OF OVERHEATING OR FIRE IF THE CLEARANCE DISTANCES ARE COMPROMISED.**



RCM: Indicates a device's compliance with applicable ACMA technical standards.



ESD: Personnel should be grounded when unpacking or handling the luminaire.

Important Information

Please read this guide carefully before installing or maintaining this equipment. Data should be used as an INDICATION only and good electrical practices should be followed at all times.

Must only be installed by a licensed electrician.

If the external flexible cable or cord of this luminaire is damaged, it shall be exclusively replaced by the manufacturer or their service agent or a similar qualified person in order to avoid a hazard.

For indoor use only.

A qualified electrician, in accordance with AS/NZS 3000:2007 wiring regulations should carry out connection to mains wiring.

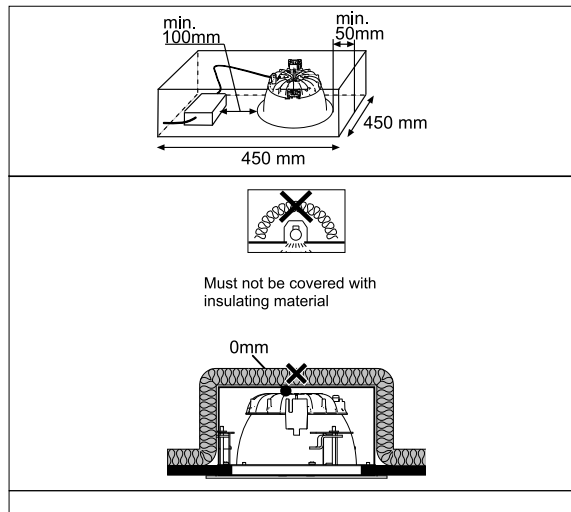
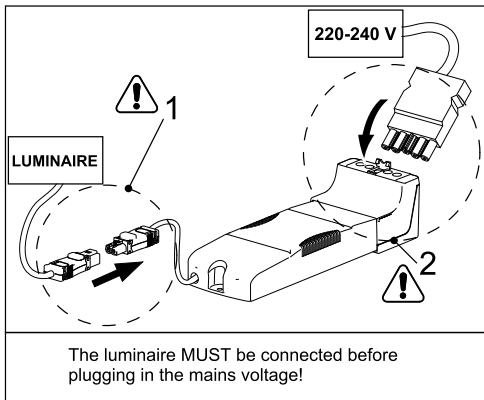
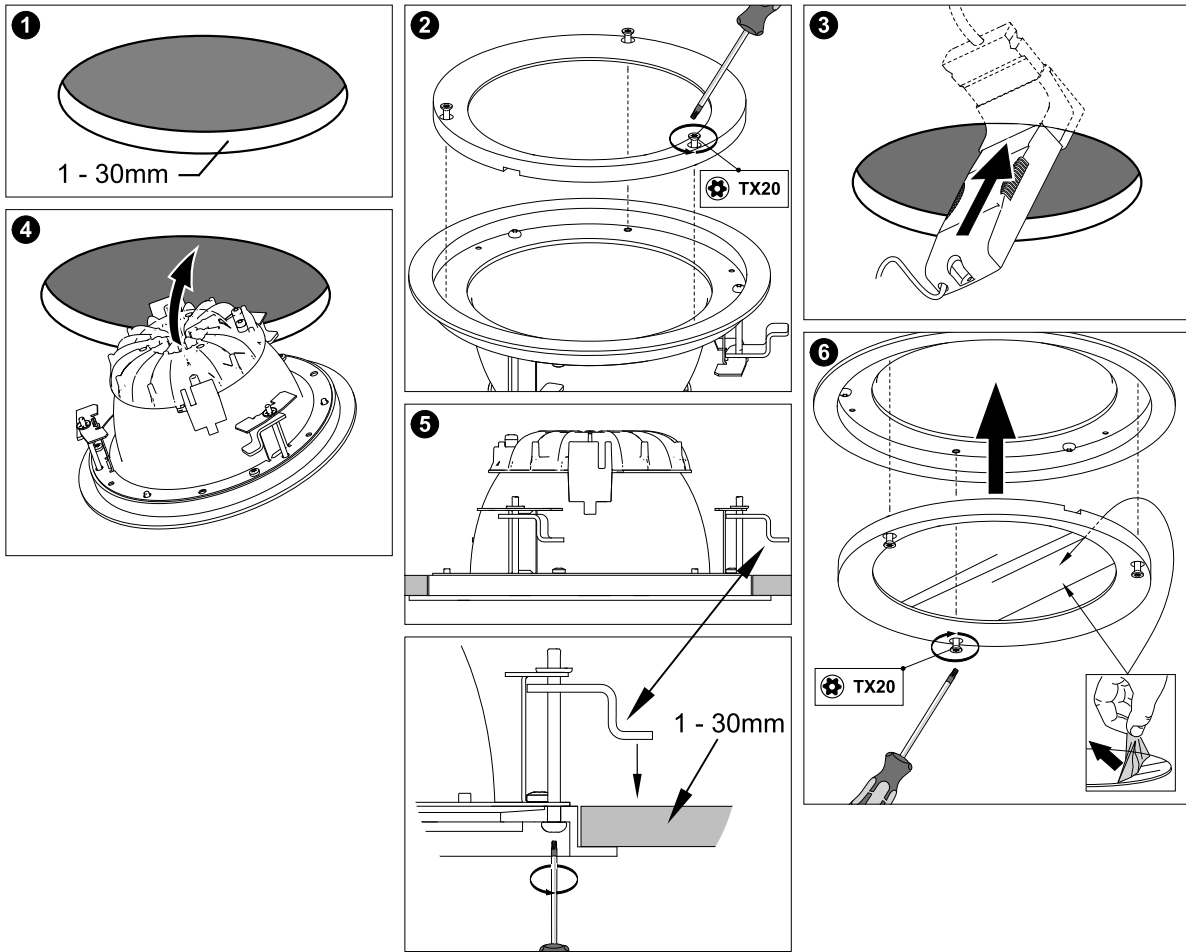
Ensure that the rated voltage and frequency requirements are compatible with the available mains supply, 220-240V 50Hz.

Cleaning of reflectors and lenses should be carried out using clean, soft and lint free cloths and anti-static cleaning fluid.

Do not carry out high voltage insulation test i.e. 500/1000V as this may damage the fixture's electrical components.

This installation instruction is relevant to the standard version of the above family. Customised variants may have mechanical changes or may have changed mounting procedures.

Pleiad G4 Robust



This installation instruction is relevant to the standard version of the above family. Customised variants may have mechanical changes or may have changed mounting procedures.