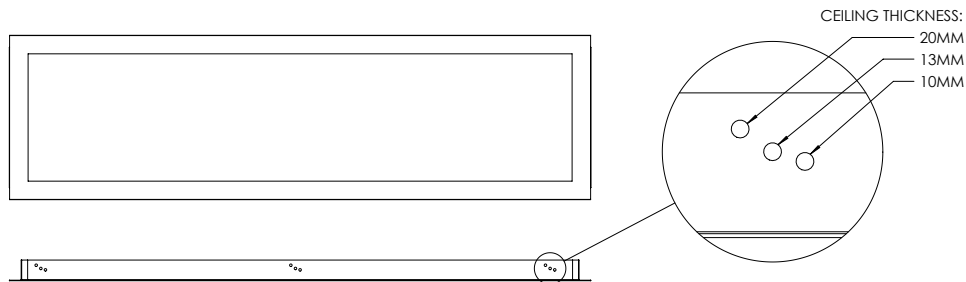
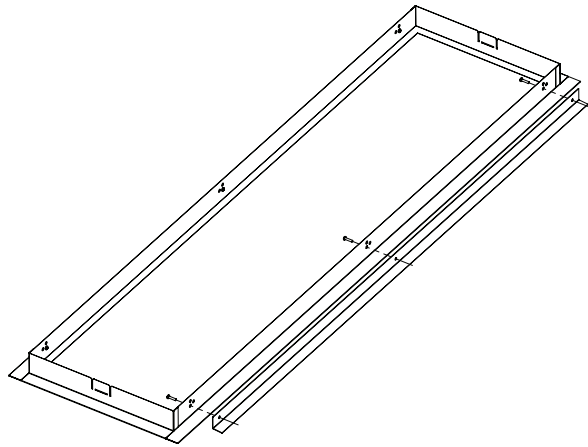


Plaster Recess Kit

Installation Instructions

1. Cut out the correct hole size in the ceiling for your plaster frame accessory.
2. Lift the plaster frame to the plaster cut out.
3. Fold over the retaining tabs located in the ends of the frame to assist in securing the frame.
4. Align the recessing brackets with the mounting holes to suit your ceiling thickness. Fasten the recessing brackets to secure the frame within the ceiling cavity.



This installation instruction is relevant to the standard version of the above family. Customised variants may have mechanical changes or may have changed mounting procedures.