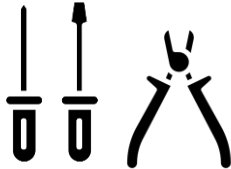
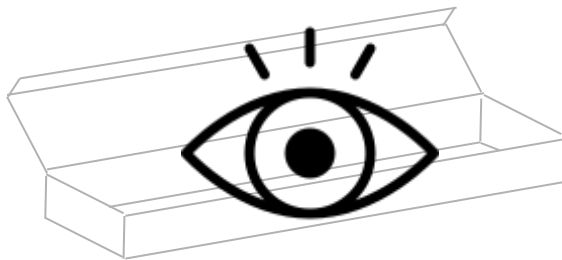


Required Tools



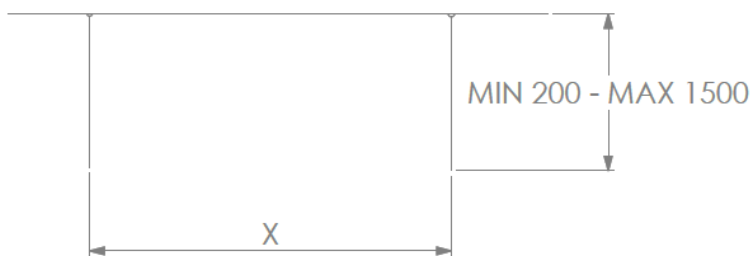
Step 1:

Open box and visually inspect luminaire, ensure it's free from noticeable damage.



Mark out and install supplied Stand-offs and suspension wire.

Ensure adequate ceiling reinforcement is provided to safely hold the luminaire.



Pendant Length Nominal [mm]	X [mm]	No of Y-Fits (Supplied)	Weight (*) [kg]
1200	950 – 1100	2	6
1500	1250 – 1400	2	7
2400	1900 - 2200	2	12

**Weights listed are valid for standard fittings only.*

Victoria (Head Office)

17-19 Jets Court,
Melbourne Airport 3045
+61 3 9344 7444

New South Wales

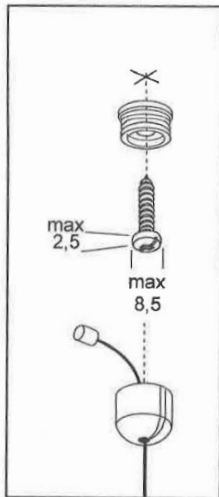
Level 1
71-73 Alexander Street.
Crows Nest 2065
+61 2 9420 5799

Queensland

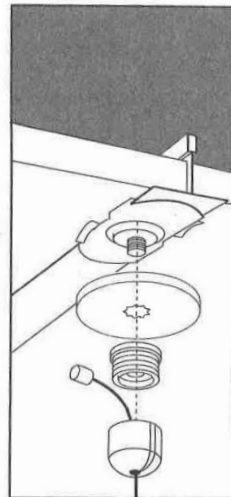
53 Caswell Street.
East Brisbane 4169
+61 7 3891 0744

Australian Capital Territory

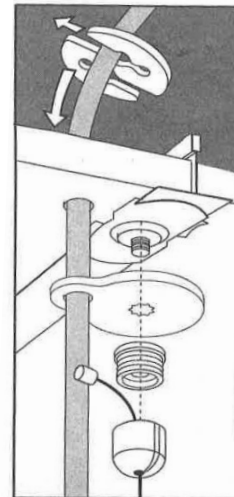
+61 411 889 406



Plaster Recessed



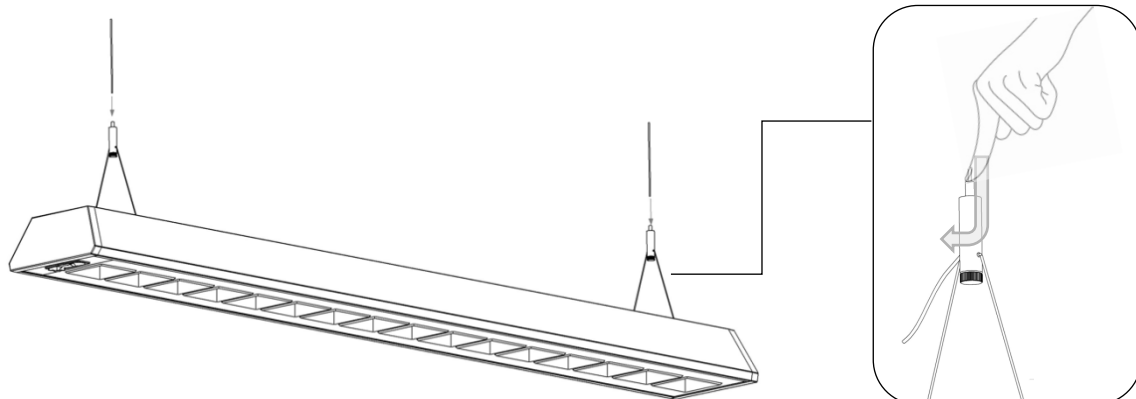
Exposed T-Bar



*** Ensure adequate ceiling reinforcement is provided to safely hold the luminaire.**

Step 2:

Raise the OmniPOD Pendant and feed suspension wires through pre-assembled adjustable wire barrels. Set pendant to desired height ensuring not to exceed recommended drops for standard version.



Victoria (Head Office)

17-19 Jets Court,
Melbourne Airport 3045
+61 3 9344 7444

New South Wales

Level 1
71-73 Alexander Street,
Crows Nest 2065
+61 2 9420 5799

Queensland

53 Caswell Street,
East Brisbane 4169
+61 7 3891 0744

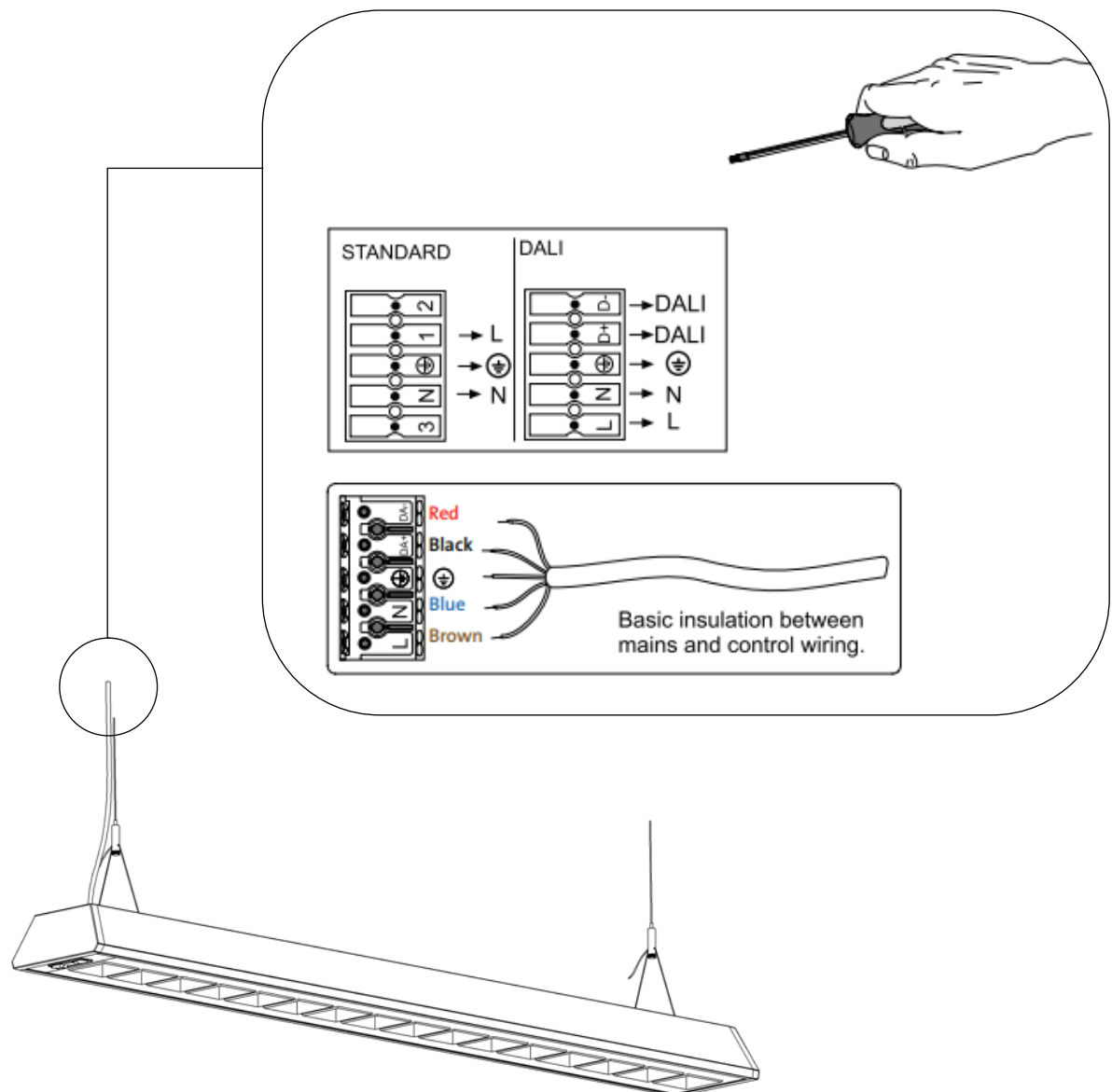
Australian Capital Territory

+61 411 889 406

Step 3:

Take labelled Flex cable to FCL and terminate into suitable junction as per AS/NZ 3000:2007.

Ensure EARTH CONNECTION is made.



Victoria (Head Office)

17-19 Jets Court,
Melbourne Airport 3045
+61 3 9344 7444

New South Wales

Level 1
71-73 Alexander Street.
Crows Nest 2065
+61 2 9420 5799

Queensland

53 Caswell Street.
East Brisbane 4169
+61 7 3891 0744

Australian Capital Territory

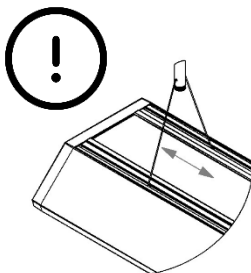
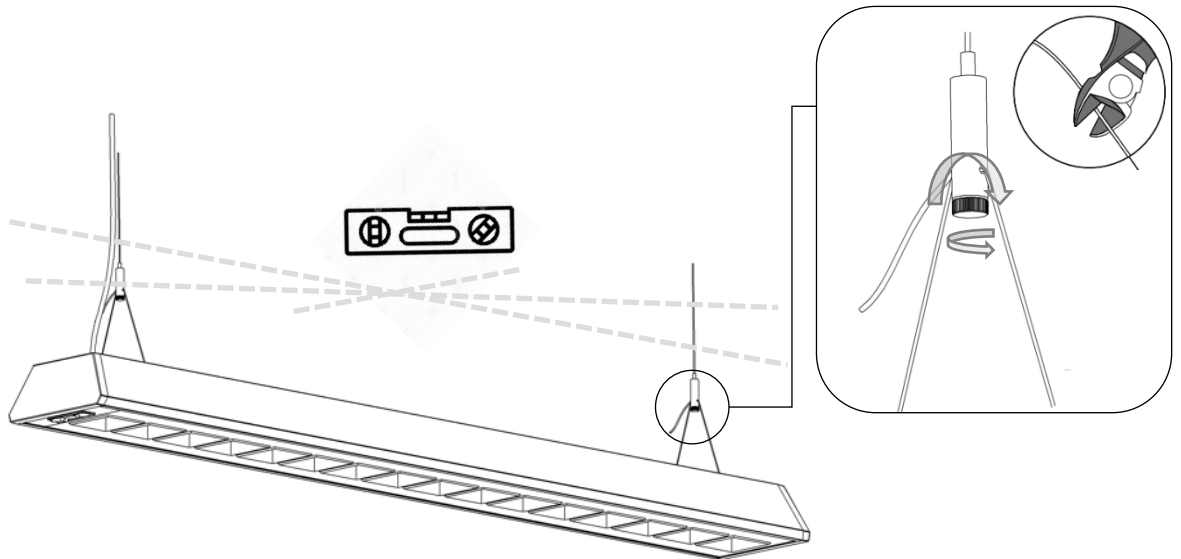
+61 411 889 406

Step 4:

Re-check drop height and level pendant using adjustable barrels. Cut away excess cable to complete the installation.

HANDY TIP

The Y-fits can be shifted along the Pendant body to aid levelling and balance.



Victoria (Head Office)

17-19 Jets Court,
Melbourne Airport 3045
+61 3 9344 7444

New South Wales

Level 1
71-73 Alexander Street,
Crows Nest 2065
+61 2 9420 5799

Queensland

53 Caswell Street,
East Brisbane 4169
+61 7 3891 0744

Australian Capital Territory

+61 411 889 406