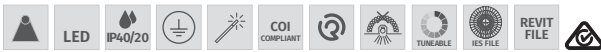


# Enviro Evoline Concealed Air



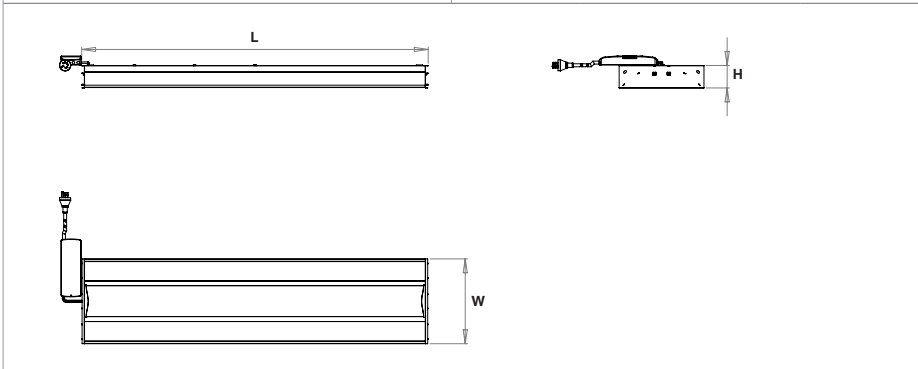
Enviro Evoline Concealed Air 600x300



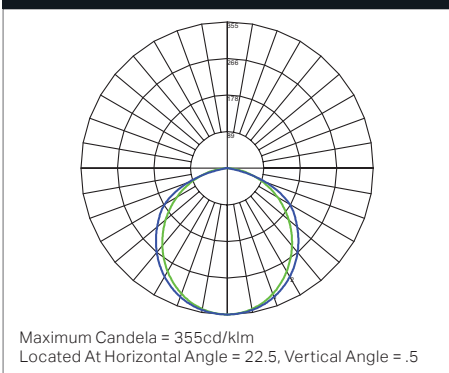
Key Family Details	
Optical System:	Opal diffuser + Secondary reflector
Mounting Type:	Exposed T-Bar
Colour Consistency Initial:	3 SDCM
Finish Options:	Standard white
System Warranty:	5 years
CCT:	4000K
CRI (Ra):	90+
R9:	50+
COI Compliant:	Yes
Melanopic Ratio	0.70+

## Mechanical Drawing

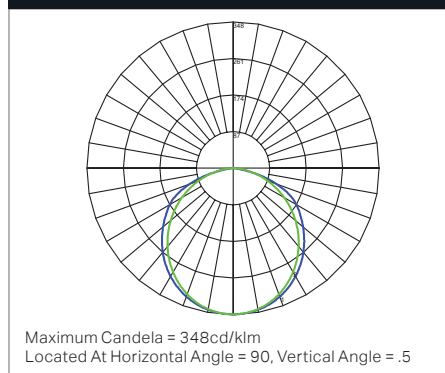
Physical Parameters	Luminaire Dimensions			Weight
	L [mm]	W [mm]	H [mm]	
Code				[kg]
EL-EVC-1110/-1113	592	292	67	2.0
EL-EVC-1111/-1114	1192	292	67	2.7
EL-EVC-1112/-1115	1492	292	67	3.5
EL-ACC-210-000	Restraint Kit - 4 x grippler, 2 x 2m wire			



## Polar Curve 1200x300 940



## Polar Curve 1500x300 940



## Application

The Enviro Evoline family has been designed to meet the demanding requirements for office lighting in Australia and New Zealand.

## Design

The air slots in the Concealed Air variant, completely invisible due to the unique design, deliver an exceptional performance in terms of both airflow and noise figures, as demonstrated by accredited laboratory test results.

As with the rest of the Enviro Evoline family, the Concealed Air variant has one of the best vertical illuminance performances within the ELA range of recessed luminaires.

## Optics

The extruded central diffuser offers good glare control whilst the curved back reflector spreads light to achieve a wide beam without causing glare and to help reduce contrast on the ceiling.

## Control

- Non-dim and DALI as standard.
- Various control options available via customisation including Organic Response and Tuneable White.

## Emergency

- Maintained DALI and Maintained non-monitored emergency options as standard.
- Other options may be available via customisation.

## Installation

- T-Bar as standard.
- Plaster Recessed Kits available
- Restraint Kit available.

## Size Options

- 600mm-wide versions are available on request.

## Mounting Options

- Plaster Recessed and Surface Mount Kits available as standard.

# Enviro Evoline Concealed Air



Enviro Evoline Concealed Air 600x300

## 320 Lux Target Illuminance

Code	Power [W]	Systems Lumens [lm]	Luminaire Lumens [lm]	Efficacy [lm/W]	Nominal Size [mmxmm]	Spacing (h=2.7m) [m x m]	W/m <sup>2</sup>	Calculated UGR max	LLMF TM21 L90 [hrs]	Lifetime TM21 L70 [hrs]
									LM80 duration: 12,000hrs	
EL-EVC-1110-000	10	1400	1145	112	600x300	-	-	-	52,000	>72,000
EL-EVC-1111-000	20	2700	2448	121	1200x300	2.4m x 2.4m	3.50 (Complies with J6)	19	52,000	>72,000
EL-EVC-1112-000	25	3450	2998	122	1500x300	3.0m x 2.4m	3.37 (Complies with J6)	19	52,000	>72,000
EL-ACC-210-000	Restraint Kit - 4 x gripple, 2 x 2m wire									

## 400 Lux Target Illuminance

Code	Power [W]	Systems Lumens [lm]	Luminaire Lumens [lm]	Efficacy [lm/W]	Nominal Size [mmxmm]	Spacing (h=2.7m) [m x m]	W/m <sup>2</sup>	Calculated UGR max	LLMF TM21 L90 [hrs]	Lifetime TM21 L70 [hrs]
									LM80 duration: 12,000hrs	
EL-EVC-1113-000	12	1650	1361	111	600x300	-	-	-	52,000	>72,000
EL-EVC-1114-000	24	3250	2956	121	1200x300	2.4m x 2.4m	4.23 (Complies with J6)	22	52,000	>72,000
EL-EVC-1115-000	29	4100	3607	123	1500x300	3.0m x 2.4m	4.09 (Complies with J6)	22	52,000	>72,000
EL-ACC-210-000	Restraint Kit - 4 x gripple, 2 x 2m wire									

Design Parameters: LLF=0.80 (Nominal), Room Reflectances (C/W/F): 0.70/0.50/0.20, Ceiling height=2.7m, Eh@0.72m AFFL.

### Wiring options

### Suffix

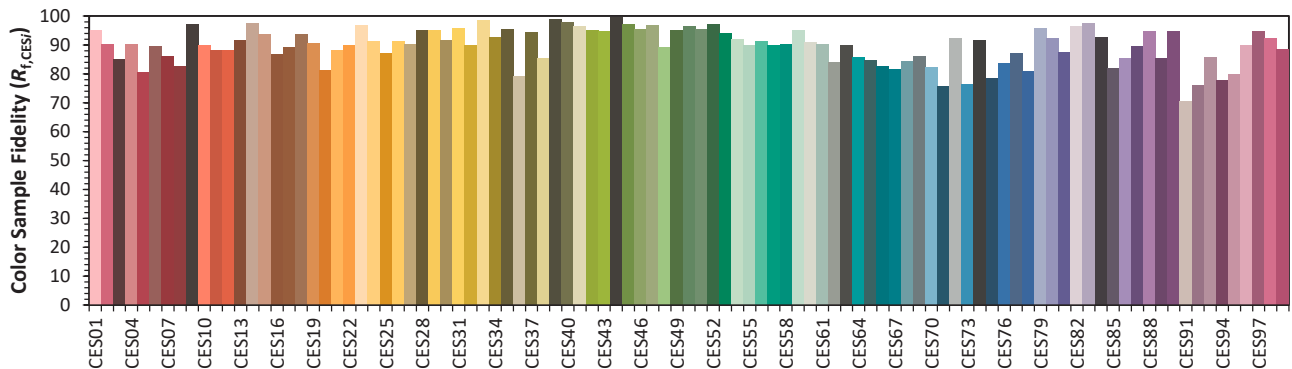
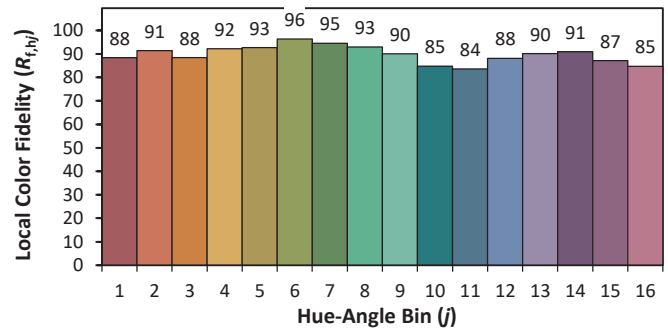
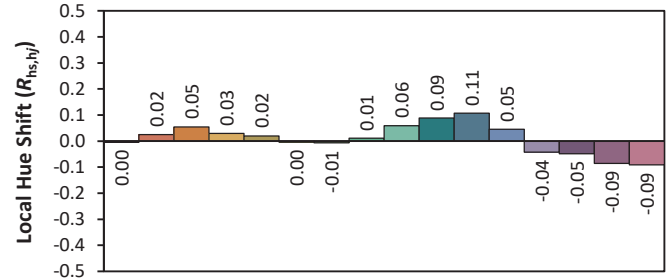
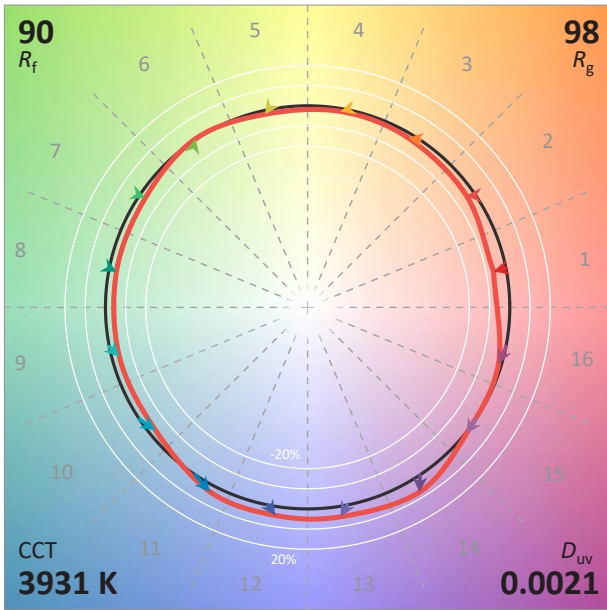
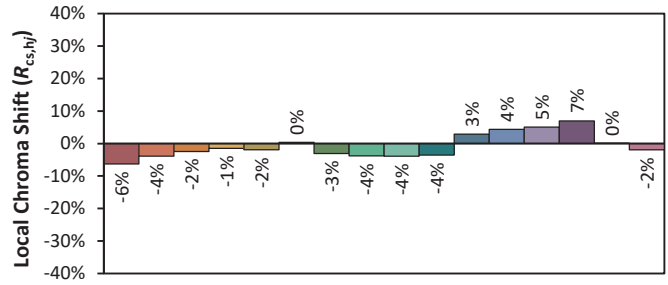
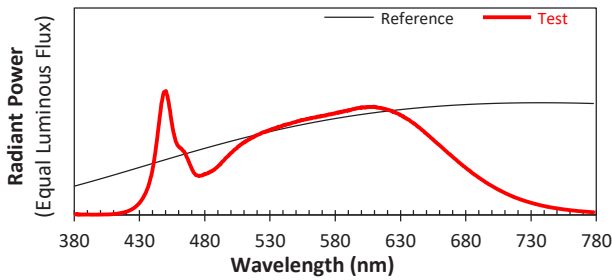
Standard	-000
DALI/STD terminal block	-200
Tunable White (DALI Type 8)	-220
Organic Response (SN3)	-970

# Enviro Evoline Concealed Air



## TM-30-18 Colour Rendition Report

EL-EVC-1111 - 20W 2700LM 940 1200x300



**Notes:** This is a recommended method for displaying ANSI/IES TM-30-18 information.

$x$  0.3851  
 $y$  0.3841  
 $u'$  0.2252  
 $v'$  0.5054

CIE 13.3-1995 (CRI)	
$R_a$	90
$R_g$	51

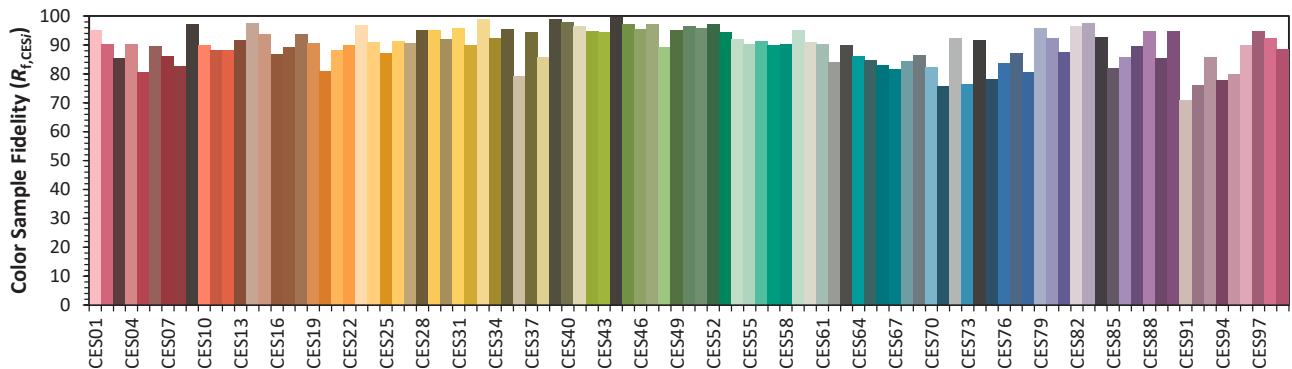
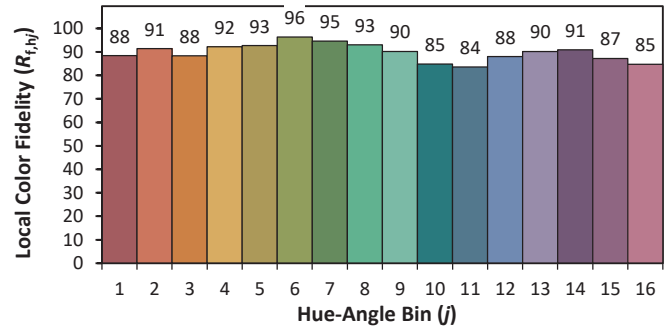
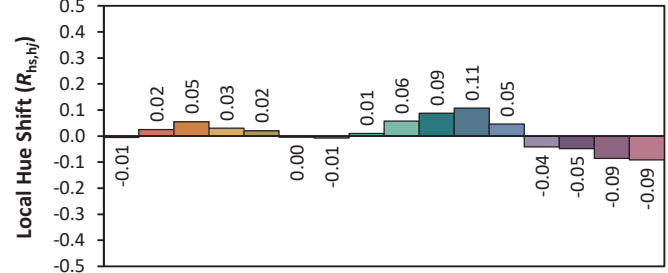
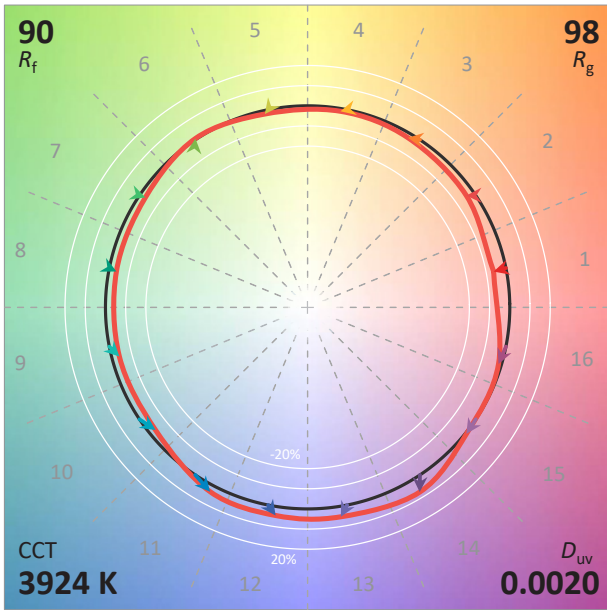
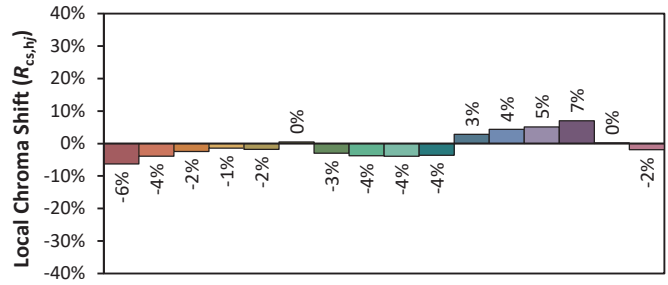
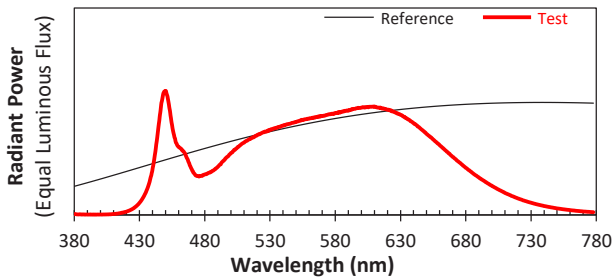
Colors are for visual orientation purposes only. Created with the ANSI/IES TM-30-18 Calculator Version 2.00.

# Enviro Evoline Concealed Air



## TM-30-18 Colour Rendition Report

EL-EVC-1112 - 25W 3450LM 940 1500x300



**Notes:** This is a recommended method for displaying ANSI/IES TM-30-18 information.

$x$  0.3854  
 $y$  0.3842  
 $u'$  0.2254  
 $v'$  0.5056

CIE 13.3-1995 (CRI)	
$R_a$	90
$R_g$	51

Colors are for visual orientation purposes only. Created with the ANSI/IES TM-30-18 Calculator Version 2.00.