

# Densus LED Gen3



Polycarbonate Clips with Security Torx screws.



## Key Family Details

Optical System:	Polycarbonate diffuser/cover
Mounting Type:	Surface mounted
Colour Consistency Initial:	3 SDCM
Finish Options:	Grey
System Warranty:	5 years
CRI (Ra):	80+ (CRI90+ available via customisation)
CCT:	4000K
R9:	0+
COI Compliant:	No (COI compliance available with CRI90+ option)
Melanopic Ratio	0.66+
Operating Temperature Range	-5°C to +40°C

## Application

The Densus LED Generation 3 is a weatherproof, vandal resistant and dust proof IP66 rated LED luminaire, suitable for most industrial applications such as covered car parks, stairwells, corridors, fire stairs, back of house.

## Design

The LED boards used within the Densus LED Generation 3 are easily replaceable, allowing for easy maintenance and a reduced life cycle cost.

Narrow body (100mm) variants are now also available as standard.

## Optics

The Densus LED Generation 3 is particularly suited for underground car parks, where its wide beam distribution ensures that it provides excellent uniformity and illuminance levels on maximum mounting centres.

## Control

Services such as Emergency and Sensors are integral to the luminaire.

## Emergency

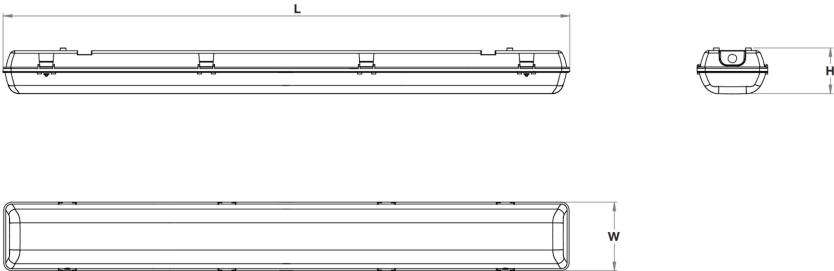
DALI monitored or non-monitored maintained emergency. Integral or remote.

## Mounting Options

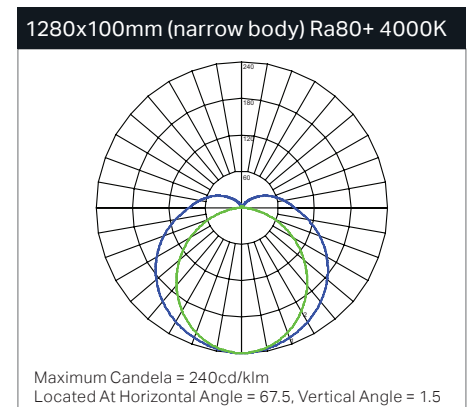
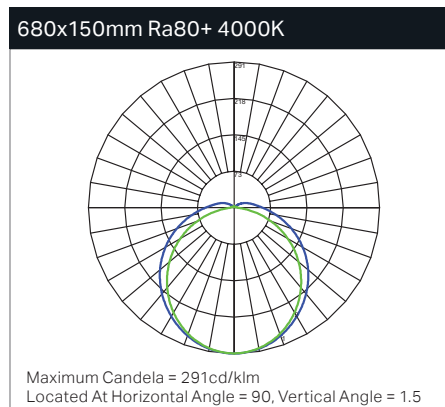
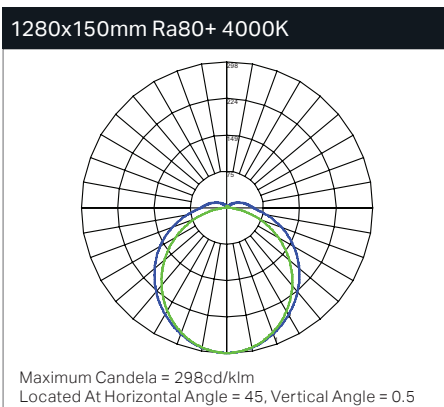
- Surface mounted.
- Other options may be available via customization.
- For further advice, please refer to installation instructions.

## Mechanical Drawing

Physical Parameters	Luminaire Dimensions			Weight
Code	L [mm]	W [mm]	H [mm]	[kg]
EL-DENL-3100/-3101/3102-xxx	1280	150	100	2.5 (EMG Variants: 3kg)
EL-DENL-2103/-2104-xxx	680	150	100	1.8
EL-DENL-3105/-3106-xxx	1280	100	100	2



## Normalised Polar Curves [cd/klm]



# Densus LED Gen3



## Optical Performance

Product Code	Control/Wiring Type	Emergency	LxW [mmxmm]	Wattage [W]	Net Output Lumens [lm]	Efficacy [lm/W]	TM-30 Rf	TM-30 Rg	TM21 L90(12k) [hrs]	L90B50 [hrs]
EL-DENL-3100-000	Non-dim		1280x150	18	2529	139	85	95	52,000	63,000
EL-DENL-3100-200	DALI		1280x150	18	2529	139	85	95	52,000	63,000
EL-DENL-3100-800	Non-dim	Maintained, Non Monitored	1280x150	21	2529	119	85	95	52,000	63,000
EL-DENL-3100-801	Non-dim	Maintained, DALI Monitored	1280x150	21	2529	119	85	95	52,000	63,000
EL-DENL-3100-802	DALI	Maintained, DALI Monitored	1280x150	21	2529	119	85	95	52,000	63,000
EL-DENL-3100-807	DALI	Maintained, Non Monitored	1280x150	21	2529	119	85	95	52,000	63,000
EL-DENL-3100-902	e-Sense smartSWITCH		1280x150	18	2529	139	85	95	52,000	63,000
EL-DENL-3100-910	e-Sense Detect On/Off		1280x150	18	2529	139	85	95	52,000	63,000
EL-DENL-3101-000	Non-dim		1280x150	27	3944	144	84	97	52,000	61,000
EL-DENL-3101-200	DALI		1280x150	27	3944	144	84	97	52,000	61,000
EL-DENL-3101-800	Non-dim	Maintained, Non Monitored	1280x150	30	3944	130	84	97	52,000	61,000
EL-DENL-3101-801	Non-dim	Maintained, DALI Monitored	1280x150	30	3944	130	84	97	52,000	61,000
EL-DENL-3101-802	DALI	Maintained, DALI Monitored	1280x150	30	3944	130	84	97	52,000	61,000
EL-DENL-3101-807	DALI	Maintained, Non Monitored	1280x150	30	3944	130	84	97	52,000	61,000
EL-DENL-3101-902	e-Sense smartSWITCH		1280x150	27	3944	144	84	97	52,000	61,000
EL-DENL-3101-910	e-Sense Detect On/Off		1280x150	27	3944	144	84	97	52,000	61,000
EL-DENL-3102-000	Non-dim		1280x150	35	5288	150	85	95	52,000	62,000
EL-DENL-3102-200	DALI		1280x150	35	5288	150	85	95	52,000	62,000
EL-DENL-3102-800	Non-dim	Maintained, Non Monitored	1280x150	38	5288	138	85	95	52,000	62,000
EL-DENL-3102-801	Non-dim	Maintained, DALI Monitored	1280x150	38	5288	138	85	95	52,000	62,000
EL-DENL-3102-802	DALI	Maintained, DALI Monitored	1280x150	38	5288	138	85	95	52,000	62,000
EL-DENL-3102-807	DALI	Maintained, Non Monitored	1280x150	38	5288	138	85	95	52,000	62,000
EL-DENL-3102-902	e-Sense smartSWITCH		1280x150	35	5288	150	85	95	52,000	62,000
EL-DENL-2103-000	Non-dim		680x150	9	1020	112	82	96	52,000	64,000
EL-DENL-2103-200	DALI		680x150	9	1020	112	82	96	52,000	64,000
EL-DENL-2103-902	e-Sense smartSWITCH		680x150	9	1020	112	82	96	52,000	64,000
EL-DENL-2104-000	Non-dim		680x150	21	2721	129	82	96	52,000	59,000
EL-DENL-2104-200	DALI		680x150	21	2721	129	82	96	52,000	59,000
EL-DENL-2104-902	e-Sense smartSWITCH		680x150	21	2721	129	82	96	52,000	59,000
EL-DENL-2104-910	e-Sense Detect On/Off		680x150	21	2721	129	82	96	52,000	59,000
EL-DENL-3105-000	Non-dim		1280x100	18	2533	142	85	95	52,000	66,000
EL-DENL-3105-200	DALI		1280x100	18	2533	142	85	95	52,000	66,000
EL-DENL-3106-000	Non-dim		1280x100	27	3854	142	85	95	52,000	61,000
EL-DENL-3106-200	DALI		1280x100	27	3854	142	85	95	52,000	61,000

## Wiring options

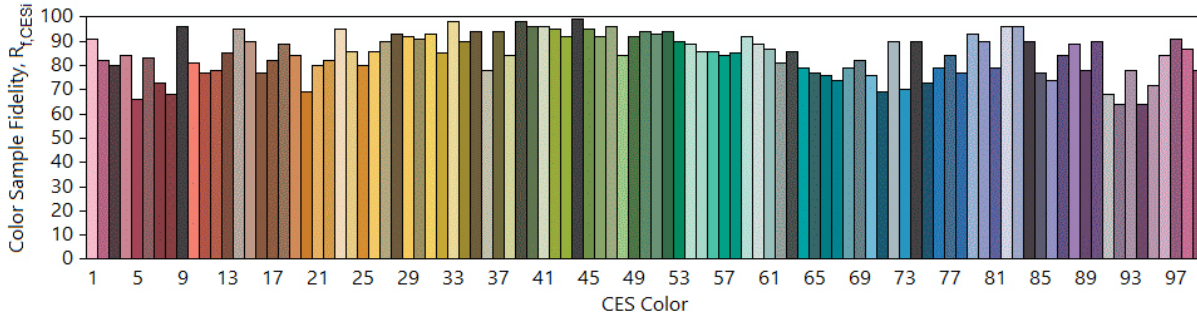
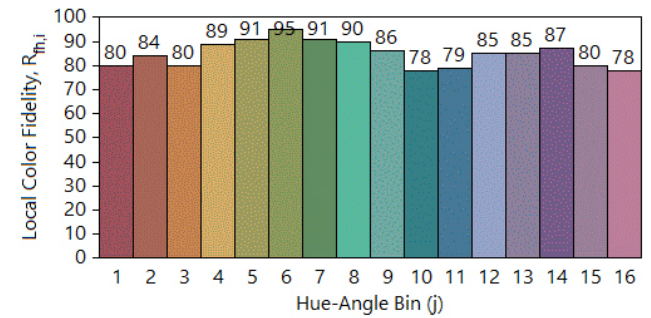
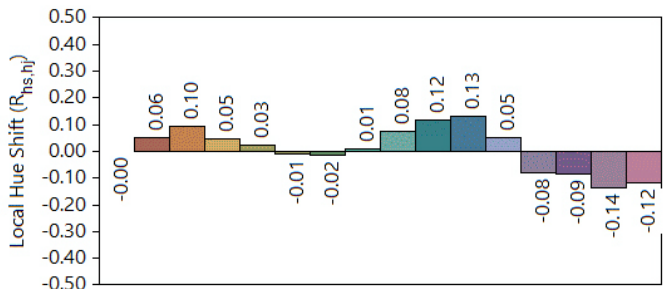
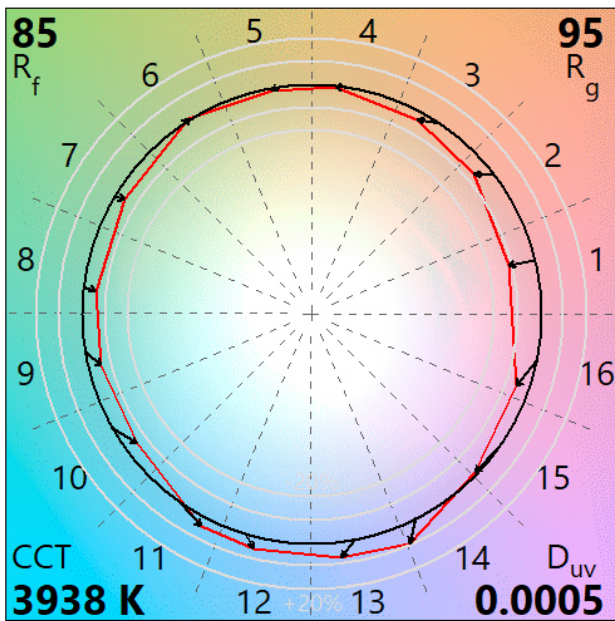
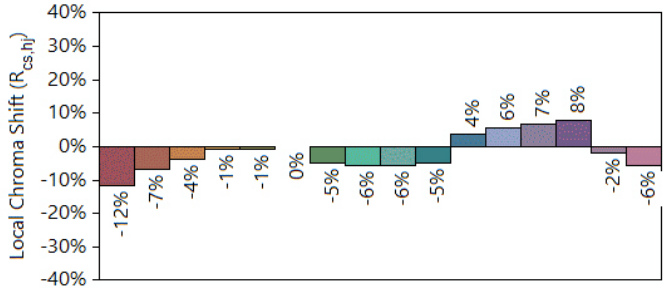
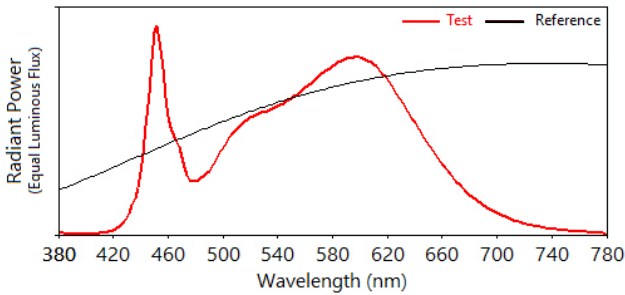
## Suffix

Standard	-000
DALI/STD terminal block	-200
STD Maintained - Non Monitored EMG (Available only for 1280 x 150 versions)	-800
STD Maintained - DALI Monitored EMG (Available only for 1280 x 150 versions)	-801
eSense SmartSwitch	-902
eSense Detect - On/Off Sensor	-910

# Densus LED Gen3

## TM-30-18 Colour Rendition Report

EL-DENL-3100-xxx



Notes: Densus LED Gen3 (with LLE Gen5) 1280mm 3100lm variants.

x 0.3836  
y 0.3798  
u' 0.2260  
v' 0.5034

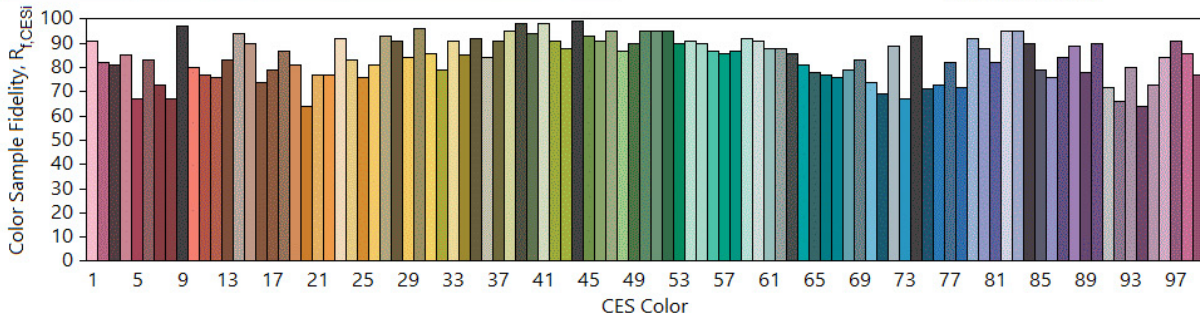
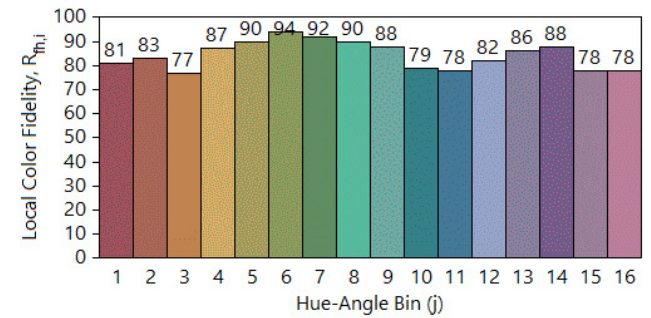
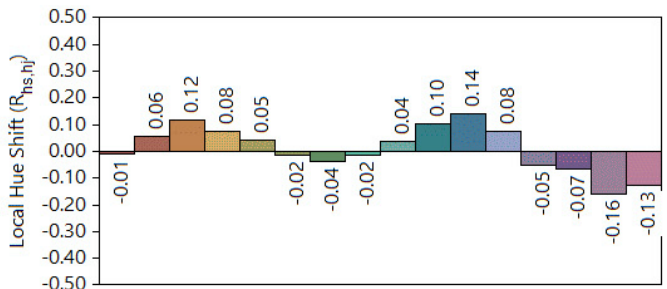
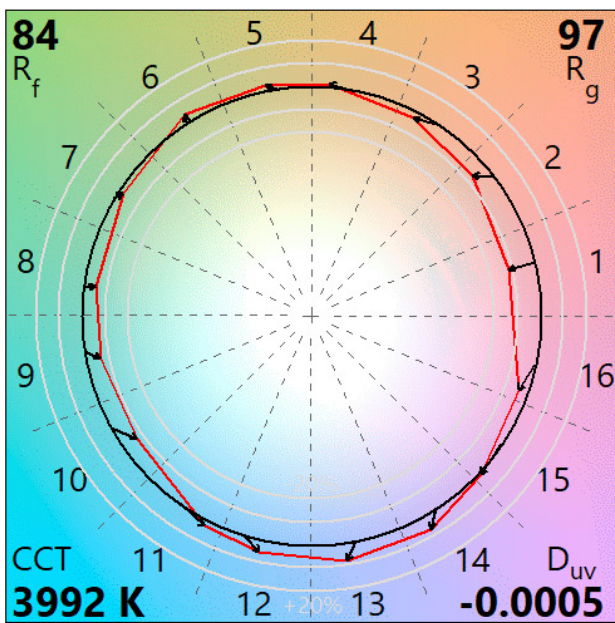
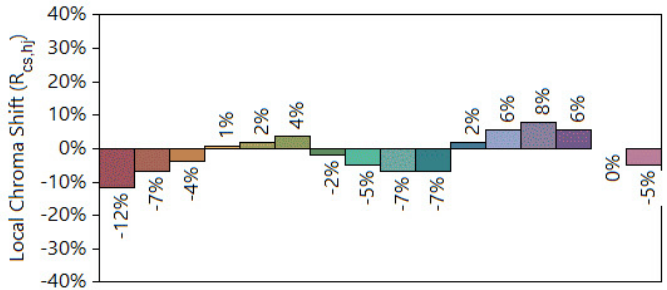
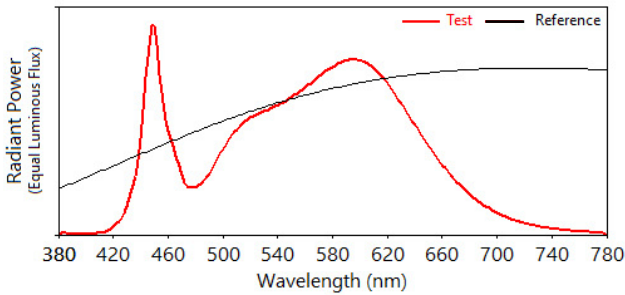
CIE 13.3-1995  
(CRI)  
R<sub>a</sub> 84  
R<sub>g</sub> 11

Colors are for visual orientation purposes only.

# Densus LED Gen3

## TM-30-18 Colour Rendition Report

EL-DENL-3101-xxx



Notes: Densus LED Gen3 (with LLE Gen5) 1280mm 4600lm variants.

x 0.3805  
y 0.3757  
u' 0.2255  
v' 0.5011

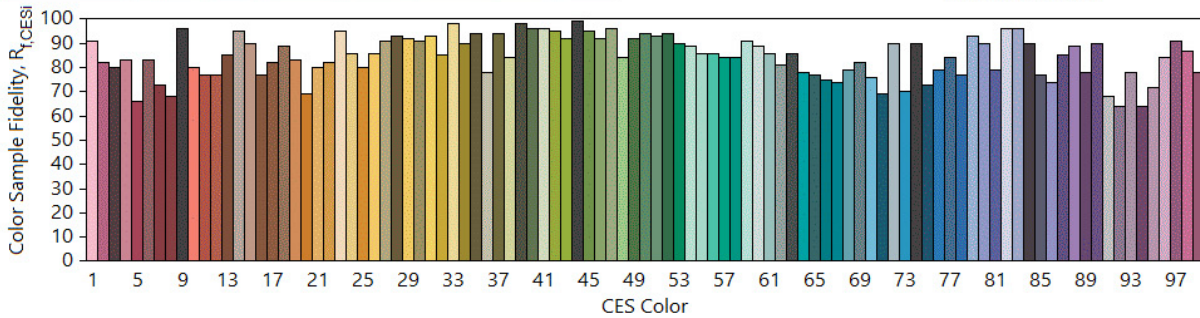
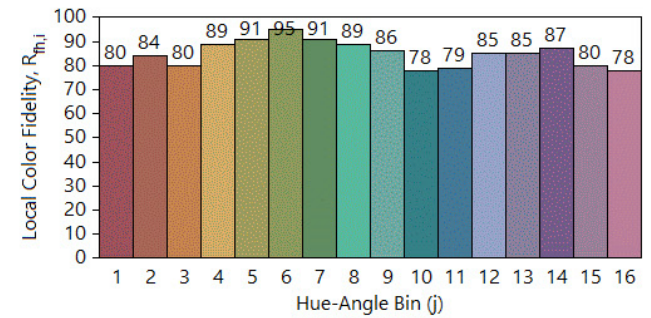
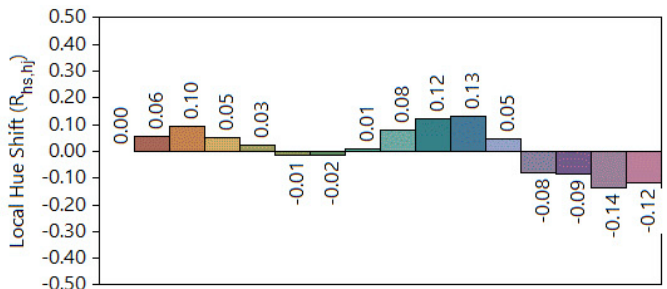
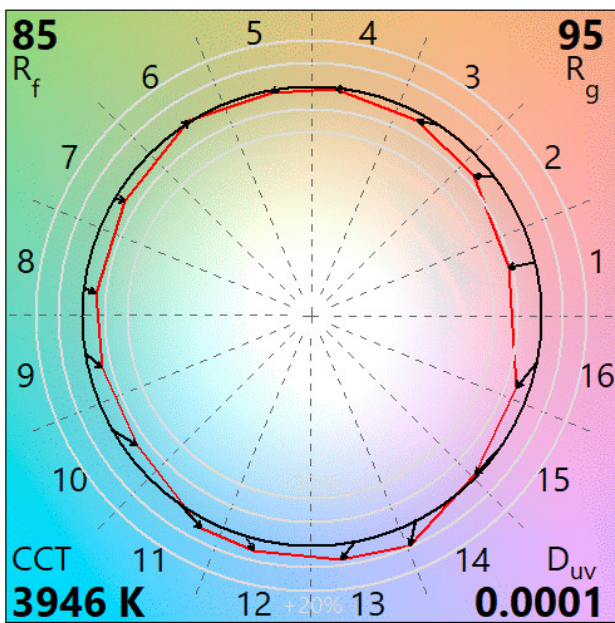
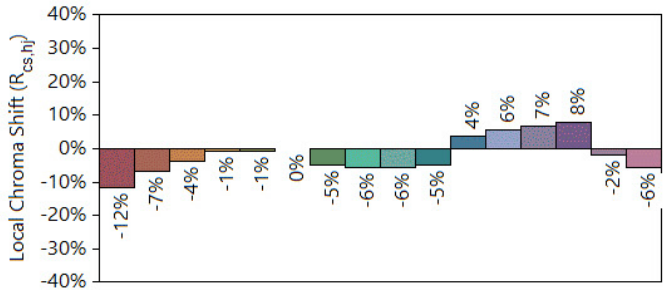
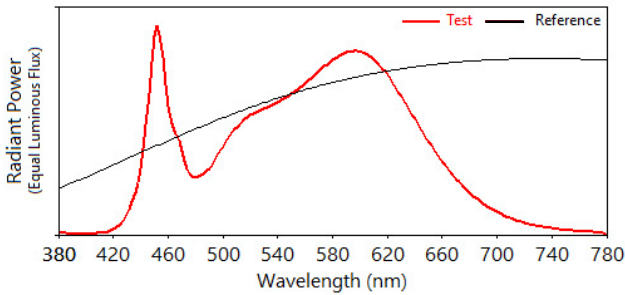
CIE 13.3-1995  
(CRI)  
R<sub>a</sub> 83  
R<sub>g</sub> 9

Colors are for visual orientation purposes only.

# Densus LED Gen3

## TM-30-18 Colour Rendition Report

EL-DENL-3106-xxx



**Notes:** Densus LED Gen3 (with LLE Gen5) 1280mm NARROW BODY 4600lm variants.

x 0.3828  
y 0.3781  
u' 0.2261  
v' 0.5025

**CIE 13.3-1995**  
(CRI)  
R<sub>a</sub> 84  
R<sub>g</sub> 11

Colors are for visual orientation purposes only.